



**AUTONAUTIC**  
the compass specialist

PRODUCT DATASHEET

COMPASS

**C12/110-0015**

**FLUSH-MOUNT**

---

SKU C12/110-0015

Flush Mount Wheelmark/SOLAS compass

# C12/110-0015 FLUSH MOUNT

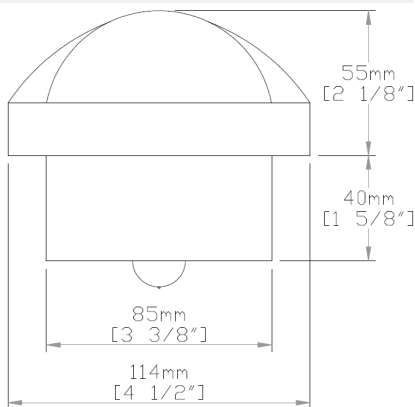


## OVERVIEW

The C12/110 flush mount compass is one of the most popular compasses in our range and the best option for tenders and motor boats. Its special design of the inner gimballed system allows the installation on inclined panels without losing the horizontality of the dial. The stylish design ensures that the compass looks at home on pleasure craft yet the rugged construction allows commercial applications. And with features such as corrosion-resistant materials and sealed construction to prevent water intrusion this compass provides reliable heading source for safe navigation at sea.

## FEATURES

- 85mm canonical card
- 5° graduation
- Anti-glare screen
- 12/24 V lighting
- Powerful Directive Force Magnets for Fast Heading Lock-on
- Individual MED/SOLAS certificate included
- 100% Repairable
- Exclusive 5 years warranty



## APPROVALS

- Directive 2014/90/EC on marine equipment
- ISO 25862:2019
- ISO 9001 certified management system



SOLAS

**ISO  
25862**

Click [here](#) to see EC Type Examination (Module B) Certificate

Member of CISQ Federation



CERTIFIED MANAGEMENT SYSTEM  
**ISO 9001**

www.autonauticinstrumental.com  
info@autonauticinstrumental.com  
Agricultura 22, El Masnou (08320), Barcelona  
+34 93 540 99 49

PRODUCT DATA SHEET



[www.autonauticinstrumental.com](http://www.autonauticinstrumental.com)  
[info@autonauticinstrumental.com](mailto:info@autonauticinstrumental.com)

*The world's lead specialist company in magnetic compasses*