

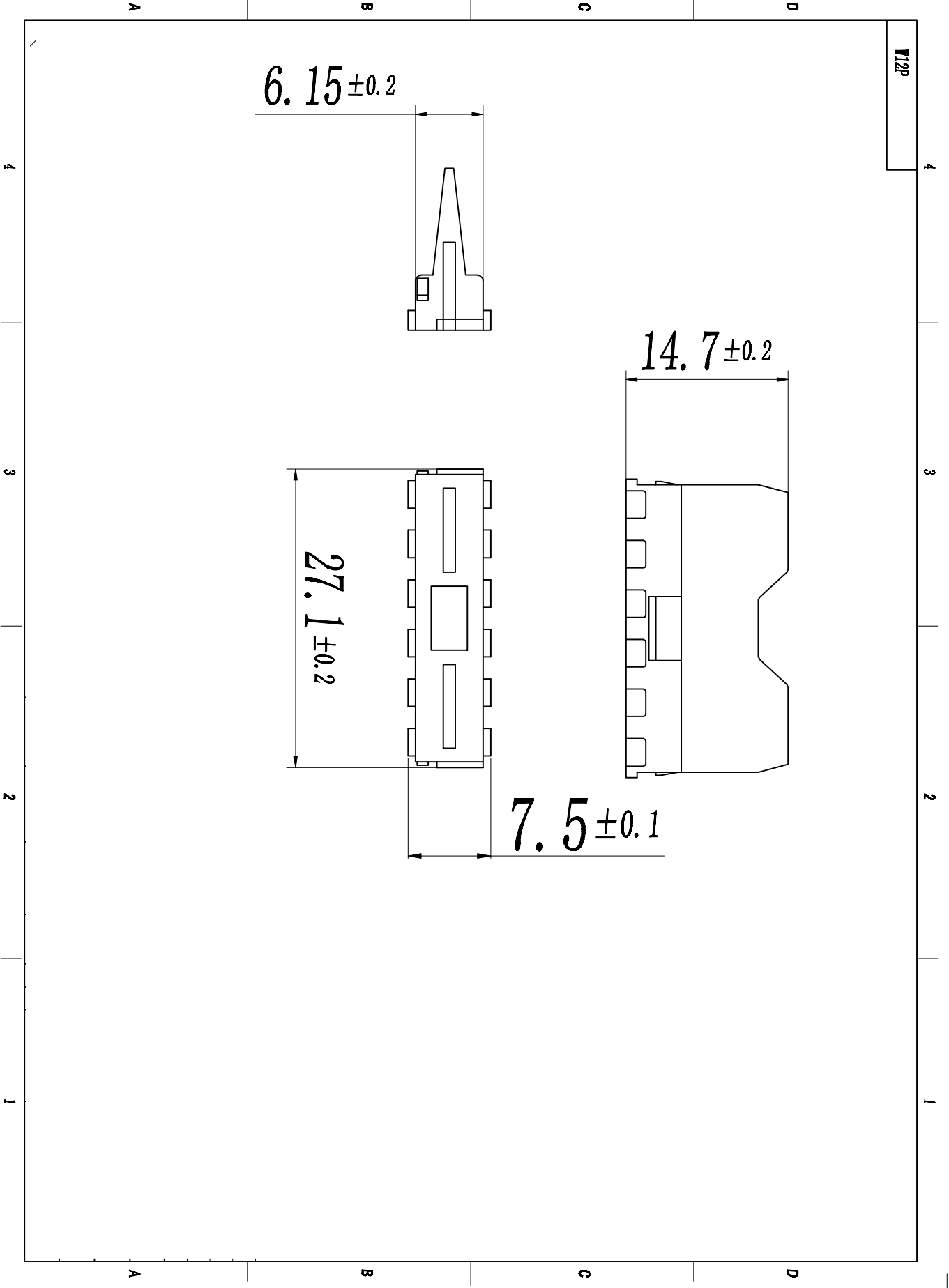
M12P

6.15 ± 0.2

14.7 ± 0.2

27.1 ± 0.2

7.5 ± 0.1



ДГОГ-128

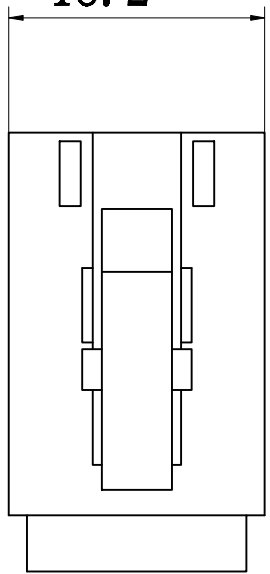
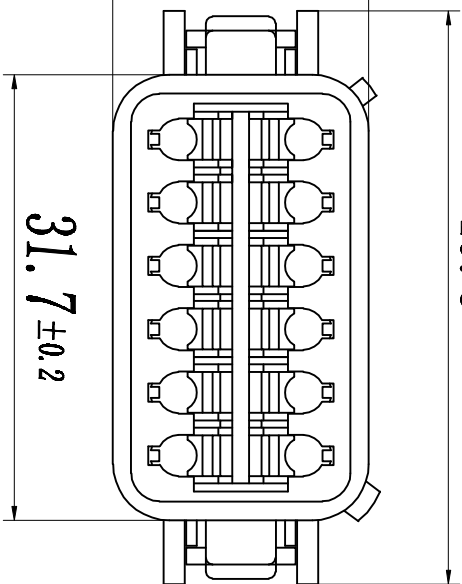
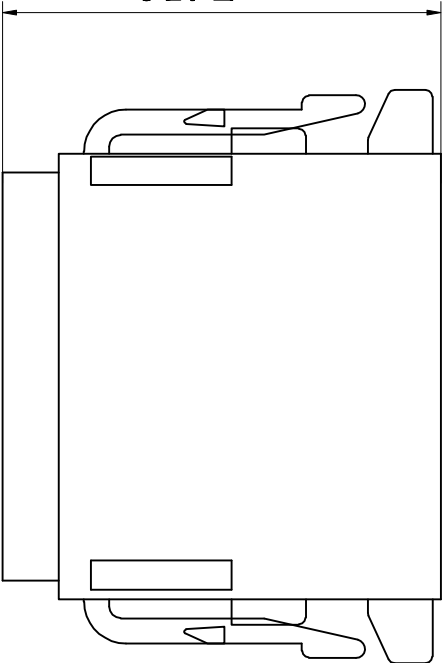
40.8 ± 0.2

18.2 ± 0.2

31.7 ± 0.2

18.2 ± 0.2

31.2 ± 0.2



A

B

C

D

A

B

C

D

4

3

2

1

4

3

2

1

W12S

31.6 \pm 0.2

18 \pm 0.2

20.68 \pm 0.2

6 \pm 0.1

27.3 \pm 0.2

