

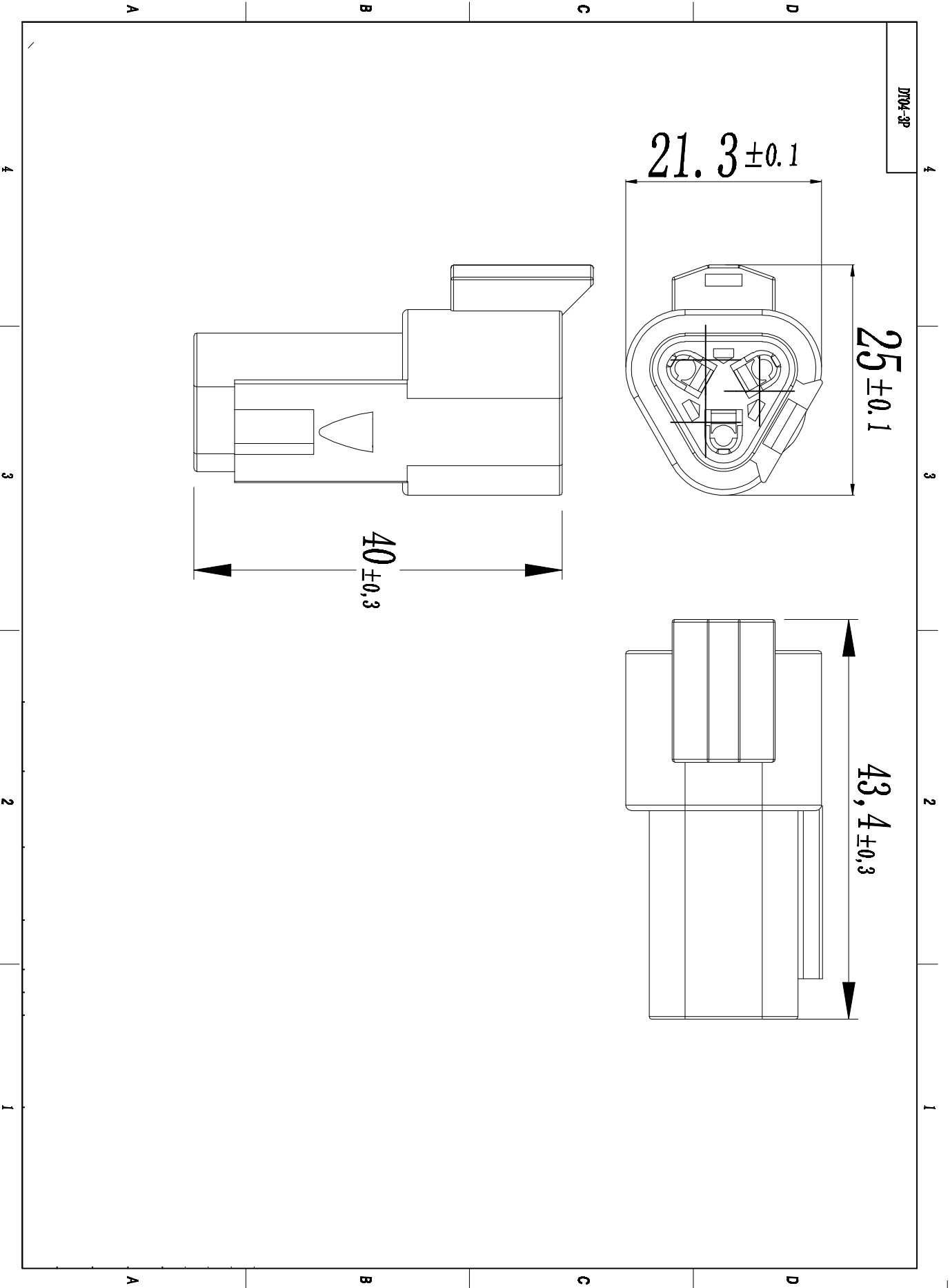
DT04-3P

25 ± 0.1

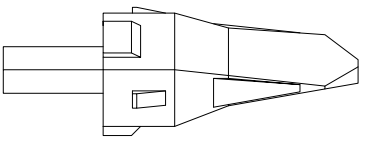
21.3 ± 0.1

$43, 4 \pm 0.3$

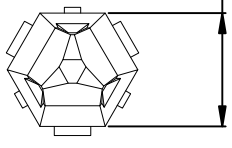
40 ± 0.3



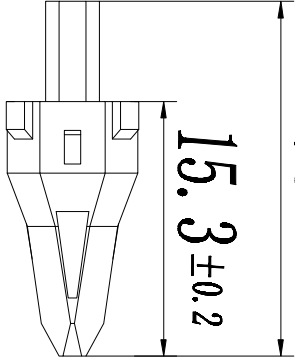
M2S



6.8 ± 0.1



21.3 ± 0.2



15.3 ± 0.2

4

3

2

1

D

C

B

A

D

C

B

A

4

3

2

1

DT06-3S

4

3

2

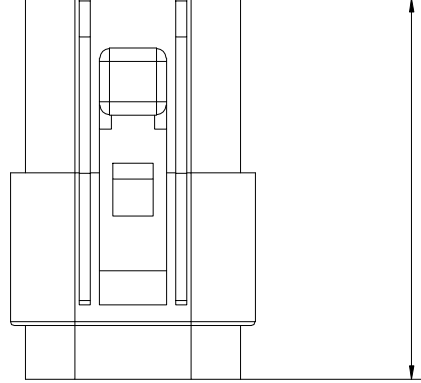
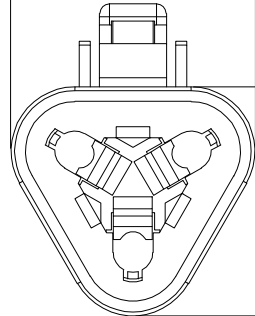
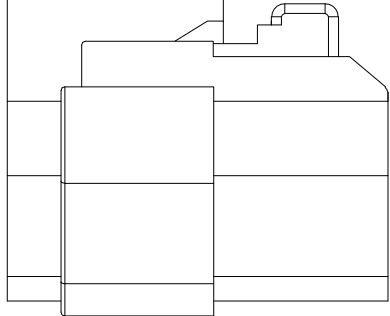
1

17.1 ±0.1

28.4 ±0.2

18.26 ±0.1

16.1 ±0.2



A

B

C

D

A

B

C

D

4

3

2

1

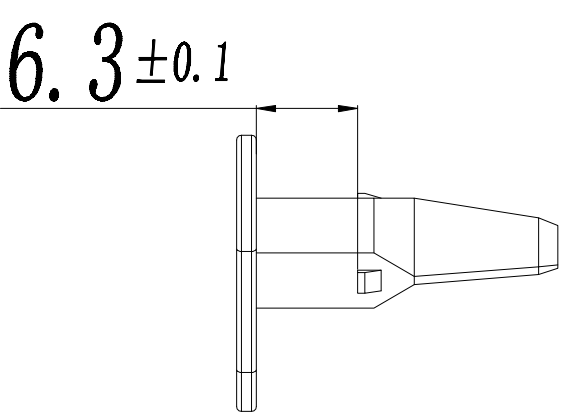
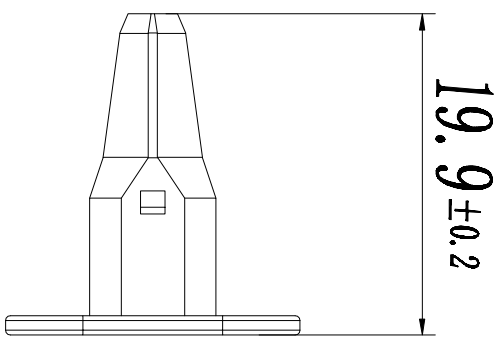
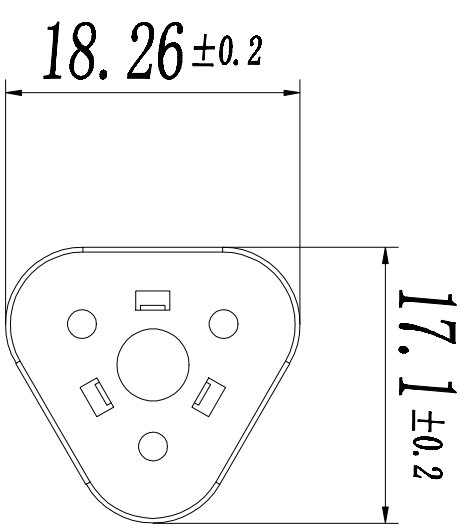
M35

4

3

2

1



A

B

C

D

A

B

C

D

4

3

2

1