

DT06-3S

4

3

2

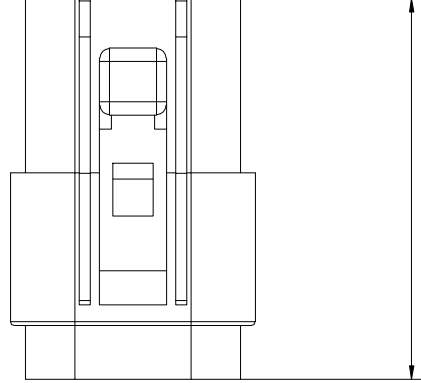
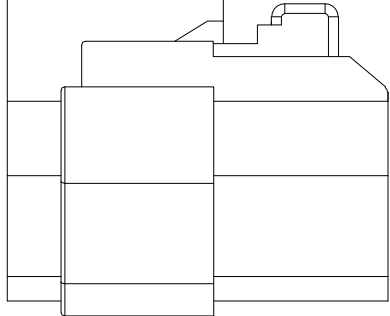
1

17.1 ±0.1

28.4 ±0.2

18.26 ±0.1

16.1 ±0.2



A B C D

A B C D

4

3

2

1

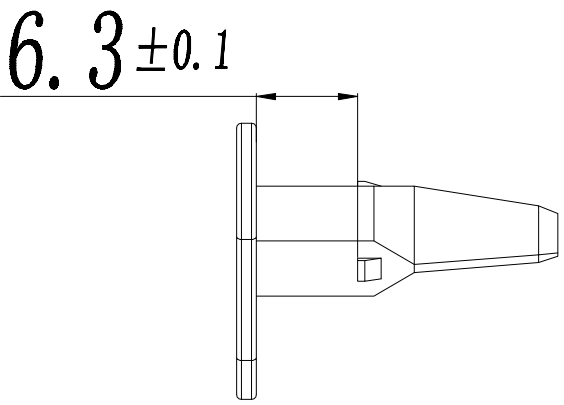
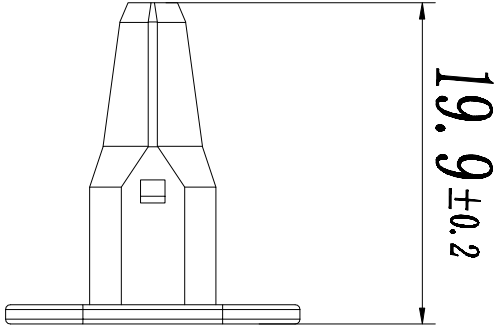
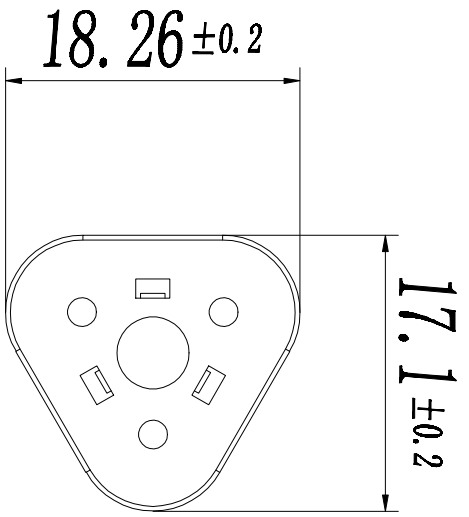
M35

4

3

2

1



A

B

C

D

A

B

C

D

4

3

2

1