

Silver Alloy Electrical Contacts Support High Ampere/Full Voltage Switching Without Degradation to Contacts or Switch Resistance. Improved Lifespan and Performance Versus Legacy Rotary Style Switches

Purpose Designed Surface Mount Form Factor Simplifies Switch Mounting and Battery Cable Assembly

500 Amp Continuous Capability in a 40% Smaller Footprint Utilizing 30% Less Depth From the Mounting Surface

Color Coded ON/OFF Positions and Bright Yellow Knob Ensures Rapid/Safe Operation

Fully Sealed Enclosure with Goretex Pressure Regulation Vent for Maximum Robustness

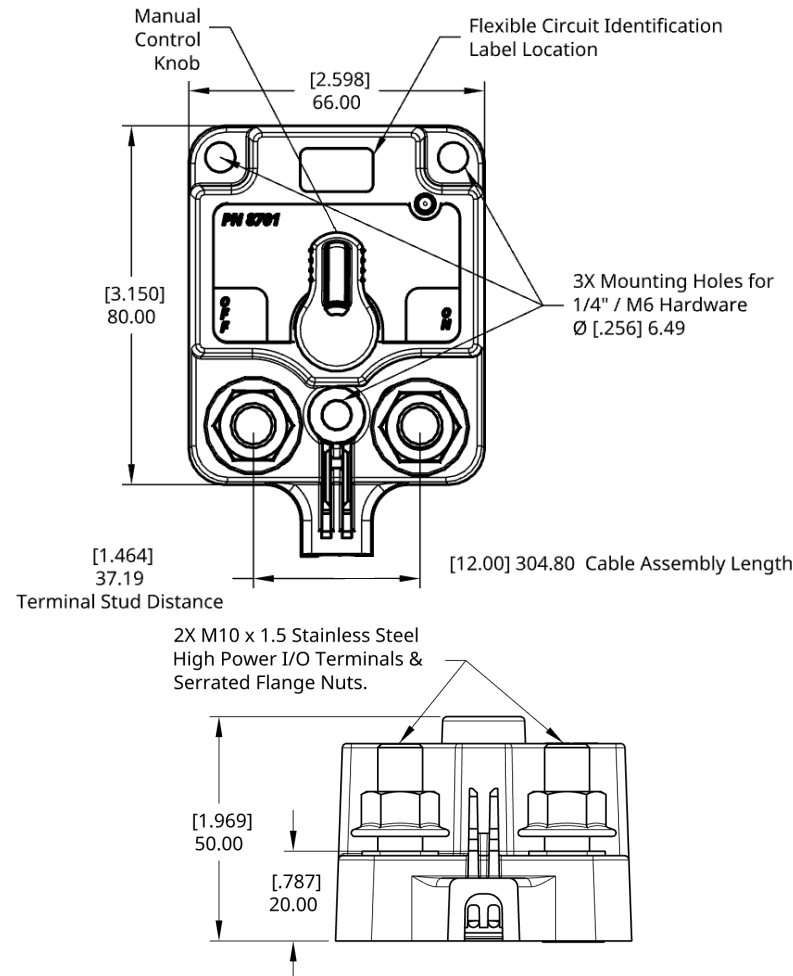
Removable Cover Protects Power Input and Output Terminals

**PATENT PENDING**

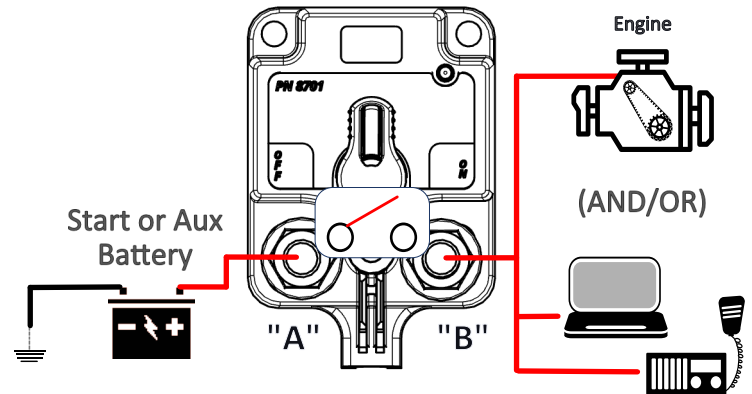


PN: 8700

## Dimensions



## System Diagram



\* DISCONNECT BATTERY FROM POWER DISTRIBUTION SYSTEM BEFORE INSTALLING PRODUCT TO PREVENT ELECTRICAL SHOCK OR PRODUCT DAMAGE

## Specifications

Input Voltage Range (Vdc)	8.0 - 60.0
Live Current Switching - 5,000 cycles	12V/300A, 24V/150A 36V/100, 48V/75A
Mechanical Switching Cycles (Min)	10,000 cycles
2/0 AWG - 30sec/5min/Continuous	1000 / 400 / 225 Amps
4/0 AWG - 30sec/5min/Continuous	1100 / 400 / 300 Amps
2x 4/0 - 30sec/5min/Continuous	1600 / 700 / 500 Amps
Hardware Material	Stainless Steel Self-Locking
Terminal Stud Torque	140 in-lbs
Temperature Range (Ambient)	-40 C to 125 C
Shock, 10,000 cycles	20g
Vibration, 0.020" Amplitude, xyz	24 hr, 10 Hz to 60 Hz, 0.020"
Ignition Protected	SAE J1171
Environmental Protection	IP67, IP6K9K